

General Description

The EM1010L5-GGB-M is a receiving module that supports dual frequency and multi-mode. It has built-in highly integrated GNSS receiver chip, supports multi band and multi system cm4f (main frequency 530mhz, 12NM Technology) chip of Third-generation BeiDou Navigation Satellite System (BDS-3). Besides, it is capable of tracking allglobal civil navigation systems (BDS, GPS, GLONASS, Galileo, QZSS and SBAS) in all bands.

EM1010L5-GGB-M module is based on the state of art CYNOSURE III architecture, integrating multi-band and multi-system GNSS RF and baseband. This newly designed architecture makes this single chip achieve sub-meter level position accuracy without correction data from ground-based augmentation station and higher sensitivity, greater for improved jam resistance and multipath, provide a highly robust service in complicated environment.

EM1010L5-GGB-M module contains AG3335M positioning engine inside, featuring high sensitivity, low power consumption, and fast TTFF. The superior cold start sensitivity allows it to acquire, track, and get position fix autonomously in difficult weak signal environment. The receiver's superior tracking sensitivity allows continuous position coverage in nearly all outdoor application environments. The high performance signal parameter search engine is capable of testing 16 million time-frequency hypotheses per second, offering superior signal acquisition and TTFF speed.

Applications

- LBS (Location Based Service)
- PND (Portable Navigation Device)
- Vehicle navigation system
- Mobile phone



Figure: EM1010L5-GGB-M Top View

Features

- Build on high performance, low-power MediaTek AG3335M chip set
- Ultra high Track sensitivity: -165dBm
- Concurrent reception of multi-band and multi-system satellite signals
- Supports all civil GNSS signals
- Supports BDS-3 signal: B1I, B1C and B2A
- Extremely fast TTFF at low signal level (Cold start $\leq 24s$, Hot start $\leq 1s$).
- Multipath detection and suppression
- Works with passive and active antenna
- Low power consumption: Max 15mA@3.3V
- NMEA-0183 compliant protocol or custom protocol
- Operating voltage: 3.0V to 3.6V
- SMD type with stamp holes
- Small form factor: 10.1x9.7x2.2mm
- Operating temperature -40 ~ +85°C
- RoHS compliant (Lead-free)

1. Functional Description

1.1. Key Features

Table 1: Key Features

| Parameter | Specification |
|--|---|
| GNSS engine | <ul style="list-style-type: none"> GNSS engine has 135channels and DSP accelerators |
| GNSS reception | <ul style="list-style-type: none"> GPS/QZSS: L1 C/A, L1C, L2C, L5, L6 BDS: B1C, B1I, B2a, B2I, B3I GLONASS: L1, L2 Galileo: E1, E5, E6 IRNSS: L5 SBAS: WAAS, EGNOS, MSAS, GAGAN, SDCM |
| Update rate | <ul style="list-style-type: none"> GNSS 20Hz Maximum |
| Position accuracy ^[1] | <ul style="list-style-type: none"> GNSS <1m CEP SBAS <1m CEP D-GNSS <50cm CEP |
| Velocity & Time accuracy | <ul style="list-style-type: none"> GNSS 0.01m/s CEP SBAS 0.05 m/s D-GNSS 0.05 m/s 1PPS 25 ns |
| Time to First Fix(TTFF) ^[1] | <ul style="list-style-type: none"> Hot start 1 sec Cold start 24 secs |
| Sensitivity ^[1] | <ul style="list-style-type: none"> Cold start -148dBm Hot start -155dBm Reacquisition -158dBm Tracking & navigation -165dBm |
| GNSS Operating limit | <ul style="list-style-type: none"> Velocity 515m/s Altitude 18,000m |
| Datum | <ul style="list-style-type: none"> Default WGS-84, User definable |
| UART Port | <ul style="list-style-type: none"> UART Port: TXD and RXD Supports baud rate from 9600bps to 961200bps. NMEA 0183 Protocol Ver. 4.00/4.10, Cynosure GNSS Receiver Protocol |
| Temperature Range | <ul style="list-style-type: none"> Normal operation: -40°C ~ +85°C Storage temperature: -55°C ~ +100°C Humidity: 5% ~ 95% |
| Physical Characteristics | <ul style="list-style-type: none"> Size: 10.1±0.15 × 9.7±0.15 × 2.2±0.1mm Weight: Approx. 0.41g |

1.2. Block Diagram

The EM1010L5-GGB-M is a high performance (BDS, GPS, GLONASS, Galileo, QZSS and SBAS) in all bands (L1, L2, L5, L6). satellite navigation receiver in a compact surface mount package. It is based on the AG3335 positioning technology, providing high performance signal acquisition and tracking. The simple UART serial interface and the standard NMEA-0183 protocol make usage of EM1010L5-GGB-M very easy and straightforward.

The EM1010L5-GGB-M module performs all the necessary system initialization, signal acquisition, signal tracking, data demodulation, and calculation of navigation solution autonomously.

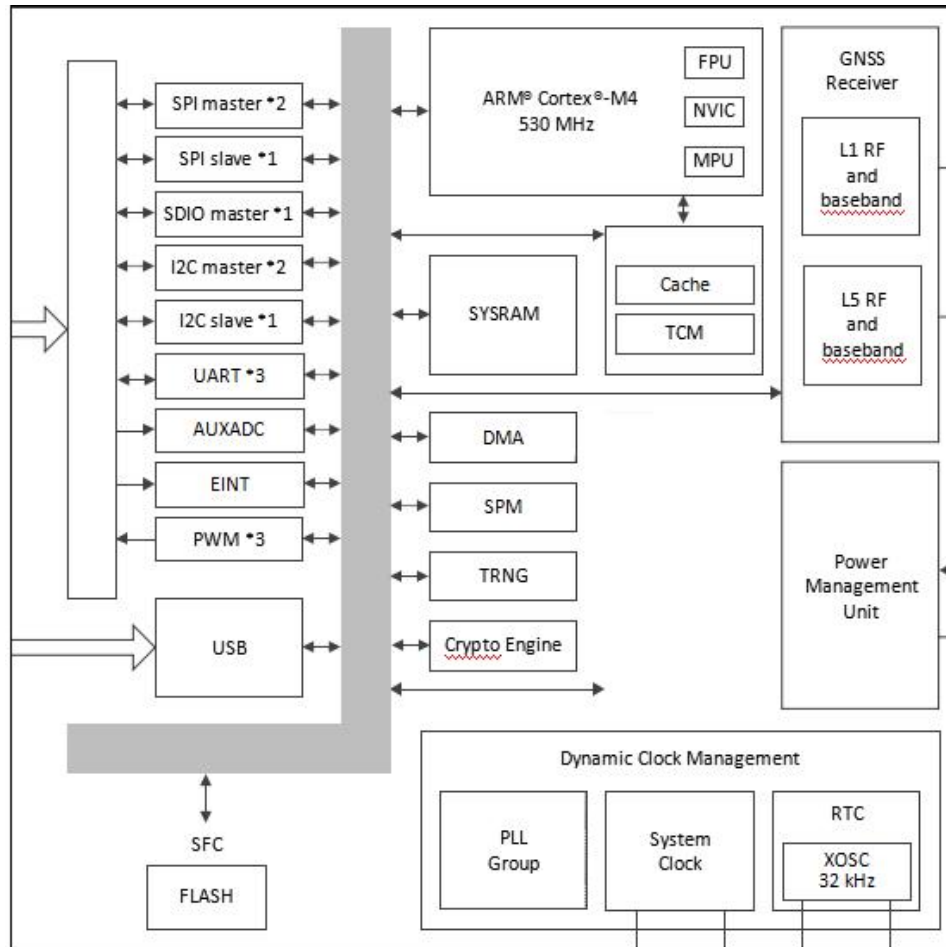


Figure 1: Block Diagram

2. Application

The module is equipped with a 18-pin SMT pad that connects to your application platform. Sub-interfaces included in the pad are described in details in the following chapters.

2.1. Pin Assignment

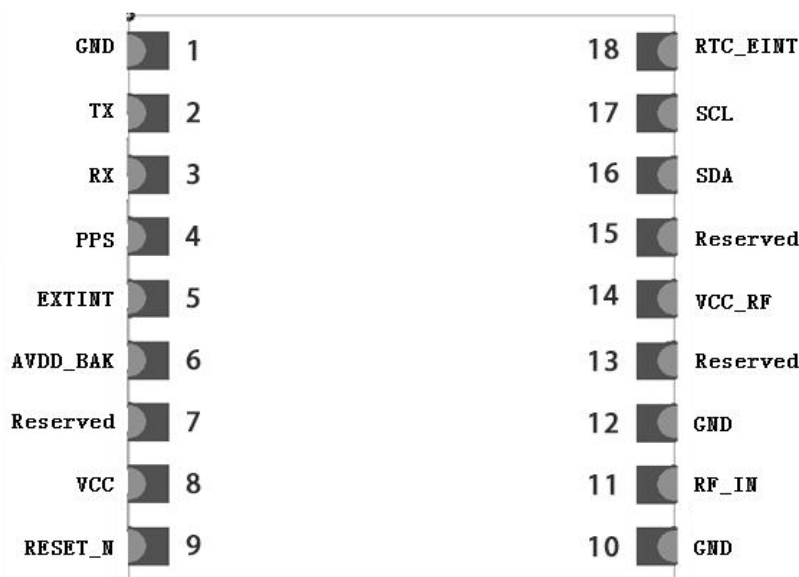


Figure 2: Pin Assignment

2.2. Pin Definition

| Pin No. | Name | Description |
|---------|----------|--|
| 1 | GND | Ground |
| 2 | TX | MUX IO: GPIO, UART 0 Serial Data Transmit (UOUT0) |
| 3 | RX | MUX IO: GPIO, UART 0 Serial Data Receive (UIN0) |
| 4 | PPS | One-pulse-per-second (1PPS) time mark output, 3.3V LVTTTL. The rising edge synchronized to UTC second when getting 3D position fix. The pulse duration is about 800usec at rate of 1 Hz. |
| 5 | EXTINT | External Interrupt Pin |
| 6 | AVDD_BAK | Backup power supply voltage input. |
| 8 | VCC | Main power supply, 3.3V +/- 10% |
| 9 | RESET_N | Leave it Open if not used |
| 10 | GND | Ground |
| 11 | RF_IN | RF signal input |
| 12 | GND | Ground |
| 14 | VCC_RF | RF section output voltage. It's can be used to supply powers to an external active antenna. |
| 16 | SDA | I2C SDA Pin |
| 17 | SCL | I2C SCL Pin |
| 18 | RTC_EINT | RTC external interrupt , AG3335A/M can using RTC_EINT Function to exit RTC Mode, when ,RTC_EINT pull high 1ms that IC will exit RTC mode. |
| 7.13.15 | Reserved | |

2.3. Electrical Specification

Absolute Maximum Ratings

| Parameter | Minimum | Maximum | Condition |
|----------------------|---------|---------|-----------|
| Supply Voltage (VCC) | -0.5 | 3.6 | Volt |
| Input Pin Voltage | -0.5 | VCC+0.5 | Volt |
| Input Power at RF_IN | | +20 | dBm |
| Storage Temperature | -55 | +100 | degC |

Operating Conditions

| Parameter | Min | Typ | Max | Unit |
|--|-----|-----|-----|------|
| Supply Voltage (VCC) | 3 | 3.3 | 3.6 | Volt |
| Acquisition Current (exclude active antenna current) | | 12 | | mA |
| Tracking Current (exclude active antenna current) | | 17 | | mA |
| I/O port & UART port working voltage : | | | | |
| Output Low Voltage | 0.4 | | 1.2 | Volt |
| Output HIGH Voltage | 3.3 | | | Volt |
| Input LOW Voltage | 0.8 | | 1.2 | Volt |
| Input HIGH Voltage | 3.3 | | | Volt |
| Input LOW Current | -10 | | 10 | uA |
| Input HIGH Current | -10 | | 10 | uA |
| RF Input Impedance (RFIN) | | 50 | | Ohm |

2.4. UART Interface

The module provides one universal asynchronous receiver& transmitter serial port. The module is designed as DCE (Data Communication Equipment), following the traditional DCE-DTE (Data Terminal Equipment) connection. The module and the client (DTE) are connected through the signals shown in the following figure. It supports data baud-rate from 9600bps to 961200bps.

UART port:

TXD: Send data to the RXD1 signal line of DTE.

RXD: Receive data from the TXD1 signal line of DTE.

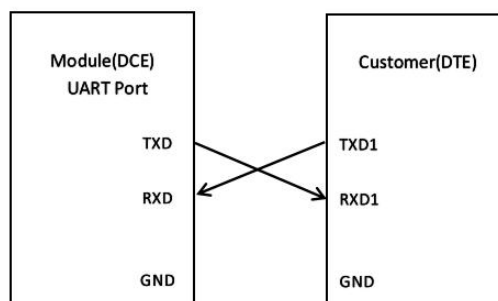


Figure 3:Serial Port Connection

This UART port has the following features:

- UART port can be used for NMEA Protocol output and proprietary commands input.
- The default output NMEA type setting is GGA, GLL, GSA, GSV, VTG, RMC, and ZDA.
- UART port supports the following data rates:
9600, 14400, 19200, 38400, 57600, 961200bps.
115200bps by default, 8 bits, no parity bit, 1 stop bit.
- Hardware flow control and synchronous operation are not supported.

The UART port does not support the RS-232 level but only CMOS level. If the module's UART port is connected to the UART port of a computer, it is necessary to add a level shift circuit between the module and the computer. Please refer to the following figure.

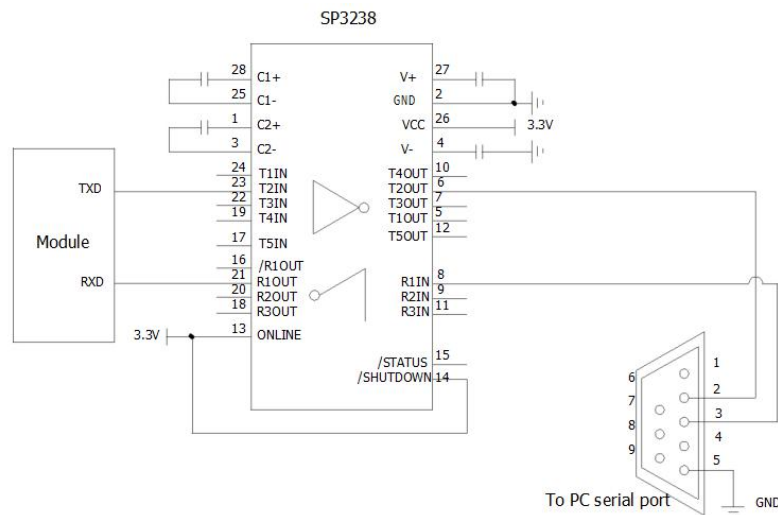


Figure 5: RS-232 Level Shift Circuit

3. Antenna Consideration

The EM1010L5-GGB-M is designed to use with active antenna, and passive antenna with higher antenna gain.

Passive ceramic patch antenna is low-cost and provides good sensitivity. 50-ohm output larger size ceramic patch antenna with higher antenna gain can be connected directly to RF input of the module. Usually the ceramic patch antenna and EM1010L5-GGB-M are mounted on opposite side of the PCB to reduce possibility of picking up digital noise. To improve signal reception performance, use larger ground plane under the patch antenna if possible; larger the ground plane, larger the overall antenna gain. The center frequency of the ceramic patch antenna changes with ground plane size. For optimal L1+L2+L5+L6 operation, frequency bandwidth of the antenna needs to cover 1174MHz ~ 1179MHz and 1573MHz ~ 1606MHz respectively when mounted on the PCB. It is usual to ask the ceramic patch antenna vendor to select or tune a patch antenna that best matches the customer PCB.

Active antenna is essentially a passive antenna with built-in LNA and a coaxial cable to connect the antenna to the module. It has the flexibility of being located remotely from the module, but requires antenna power. Active antenna usually costs more than passive patch antenna, but the performance in low signal environments is usually better. Active antenna with gain of 10 ~ 20dB and noise figure less than 1.5dB can be used with EM1010L5-GGB-M.

| Antenna Type | Passive | Active |
|--------------------------|--------------------|--------------------|
| GPS&QZSS Frequency (MHz) | 1575.42 +/- 2 (L1) | 1575.42 +/- 2 (L1) |
| | 1227.60 +/- 10(L2) | 1227.60 +/- 10(L2) |
| | 1176.45 +/- 12(L5) | 1176.45 +/- 12(L5) |
| | 1278.75 +/- 12(L6) | 1278.75 +/- 12(L6) |
| BDS Frequency (MHz) | 1561 .098+/- 2(B1) | 1561 .098+/- 2(B1) |
| | 1207.14+/- 2(B2) | 1207.14+/- 2(B2) |
| | 1268.52+/- 10(B3) | 1268.52+/- 10(B3) |
| GLONASS Frequency (MHz) | 1602MHz +/- 4(L1) | 1602MHz +/- 4(L1) |
| | 1246MHz +/- 4(L2) | 1246MHz +/- 4(L2) |
| GALILEO Frequency (MHz) | 1559-1592(E1) | 1559-1592(E1) |
| | 1164-1215(E5) | 1164-1215(E5) |
| VSWR | < 2 (typical) | < 2 (typical) |
| Polarization | RHCP | RHCP |
| Antenna Gain | > 0dBi | > -2dBi |
| LNA Gain | | 20dB (typical) |
| Noise Figure | | < 1.5dB |
| Total Gain | | > 18dBi |

4.Power Supply Requirement

EM1010L5-GGB-M requires a stable power supply, avoid ripple on VCC pin (<50mVpp). Power supply noise can affect the receiver's sensitivity. Bypass capacitors of 10uF and 0.1uF is recommended to be placed close to the module VCC pin; the values could be adjusted according to the amount and type of noise present on the supply line.

5.Backup Supply

The purpose of backup supply voltage pin (VBAT) is to keep the SRAM memory and the RTC powered when the module is powered down. This enables the module to have a faster time-to-first-fix when the module is powered on again. The backup current drain is less than 12μA. In normal powered on state, the internal processor access the SRAM and current drain is higher in active mode.

6.1PPS Output

•When using four or more satellites for 3D positioning, the rising edge of the pulse generating 1 pulse per second (Duration: 800 seconds) on 1PPS pins is aligned with the UTC seconds, and the accuracy is about 20nS. When it is not positioned, it outputs a constant low pulse.

7.Layout Guidelines

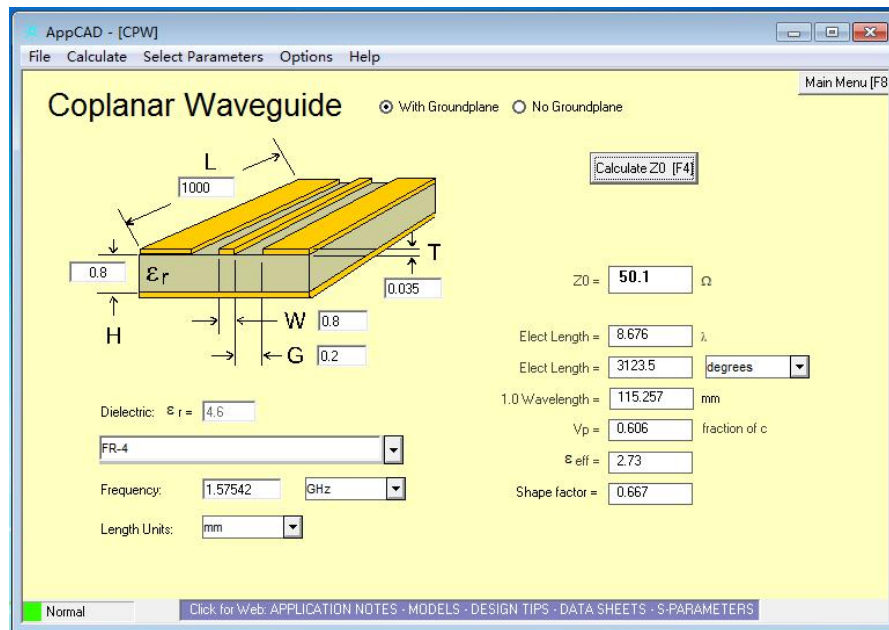
Separate RF and digital circuits into different PCB regions.

It is necessary to maintain 50-ohm impedance throughout the entire RF signal path. Try keeping the RF signal path as short as possible.

Do not route the RF signal line near noisy sources such as digital signals, oscillators, switching power supplies, or other RF transmitting circuit. Do not route the RF signal under or over any other components (including EM1010L5-GGB-M), or other signal traces. Do not route the RF signal path on an inner layer of a multi-layer PCB to

minimize signal loss. Avoid sharp bends for RF signal path. Make two 45-deg bends or a circular bend instead of a single 90-degree bend. Avoid sharp bends for RF signal path whenever possible. Every via adds inductive impedance. Vias are acceptable for connecting the RF grounds between different layers. Each of the module's ground pins should have short trace tying immediately to the ground plane below through a via.

The bypass capacitors should be low ESR ceramic types and located directly adjacent to the pin they are for.



Requires Of Antenna Design

8.ESD handling precautions

EM1010L5-GGB-M series modules are Electrostatic Sensitive Devices (ESD).

Observe precautions for handling!

Failure to observe these precautions can result in severe damage to the GPS receiver!

GPS receivers are Electrostatic Sensitive Devices (ESD) and require special precautions when handling. Particular care must be exercised when handling patch antennas, due to the risk of electrostatic charges. In addition to standard ESD safety practices, the following measures should be taken into account whenever handling the receiver:

- ✧ Unless there is a galvanic coupling between the local GND(i.e. the work table) and the PCB GND, then the first point of contact when handling the PCB must always be between the local GND and PCB GND.
- ✧ Before mounting antenna patch,connect ground of the device
When handling the RF pin, do not come into contact with any charged capacitors and be careful when contacting materials that can develop charges (e.g. patch antenna ~10pF, coax cable ~50-80pF/m, soldering iron.....)
- ✧ To prevent electrostatic discharge through the RF input, do not touch any exposed antenna area. If there is any risk that such exposed antenna area is touched in non ESD protected work area, implement proper ESD protection measures in the design.
- ✧ When soldering RF connectors and patch antennas to the receiver's RF pin, make sure to use an ESD safe soldering iron (tip).



Table 1: ESD Endurance Table (Temperature : 25°C, Humidity: 45%)

| Pin | Contact Discharge | Air Discharge |
|--------|-------------------|---------------|
| RF_IN | ±5KV | ±10KV |
| VCC | ±5KV | ±10KV |
| UART | ±3KV | ±6KV |
| Others | ±2KV | ±4KV |

9. Mechanical Dimensions

This chapter describes the mechanical dimensions of the module.

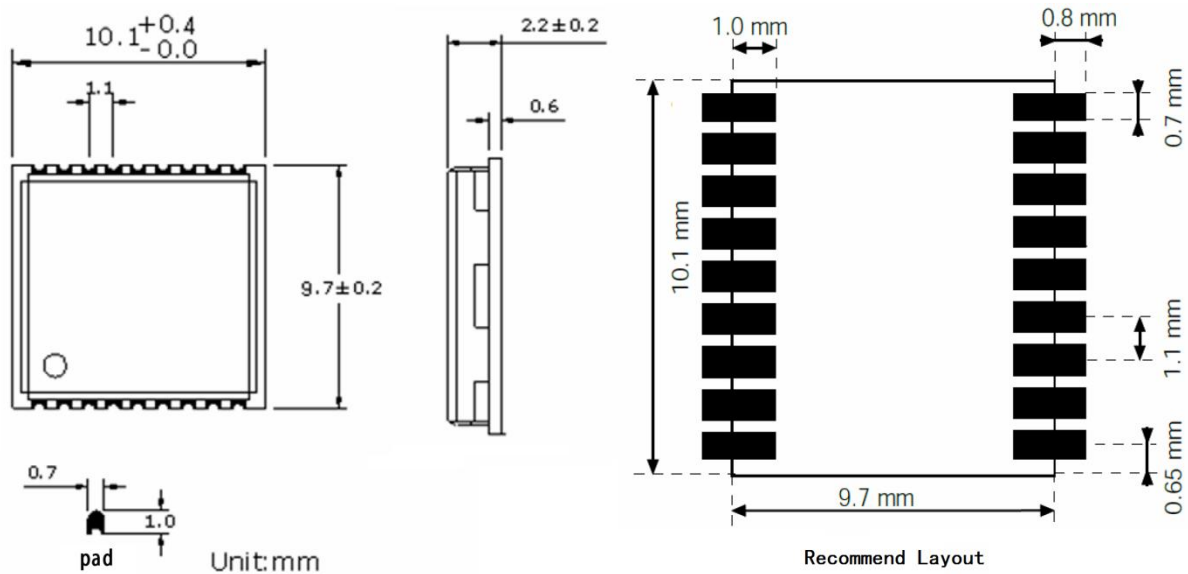


Figure 6: Top view Dimensions

10 .Manufacturing, Packaging and Ordering Information

10.1. Assembly and Soldering

EM1010L5-GGB-M module is intended for SMT assembly and soldering in a Pb-free reflow process on the top side of the PCB. It is suggested that the minimum height of solder paste stencil is 100um to ensure sufficient solder volume. Pad openings of paste mask can be increased to ensure proper soldering and solder wetting over pads. It is suggested that the peak reflow temperature is 220~240°C (for SnAg3.0Cu0.5 alloy). The absolute maximum reflow temperature is 260°C. To avoid damage to the module when it is repeatedly heated, it is suggested that the module should be mounted after reflow soldering for the other side of PCB has been completed. Recommended reflow soldering thermal profile is shown below:

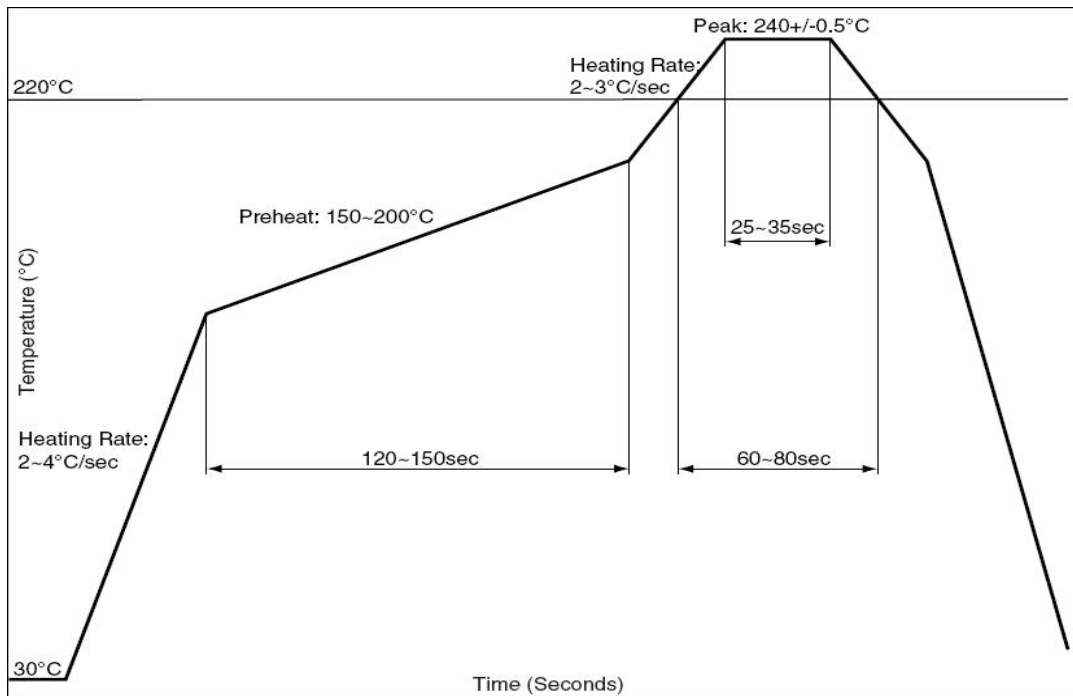


Figure 7: Recommended Reflow Soldering Thermal Profile

10.2. Moisture Sensitivity

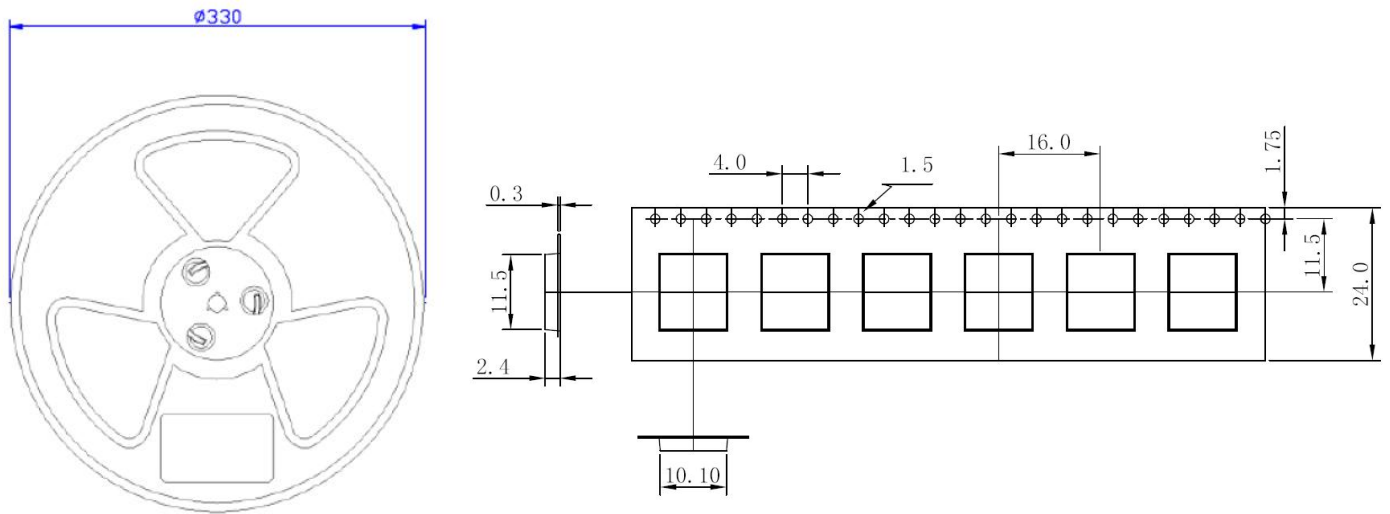
EM1010L5-GGB-M module is sensitive to moisture. To prevent EM1010L5-GGB-M from permanent damage during reflow soldering, baking before reflow soldering is required in following cases:

- ✧ Humidity indicator card: One or more indicating spots are no longer blue.
- ✧ The seal is opened and the module is exposed to excessive humidity.

EM1010L5-GGB-M shall be baked for 192 hours in a cryogenic environment at 40°C+5°C/-0°C and <5%RH, or for 24 hours in a high-temperature environment at 125°C±5°C.

As the plastic packaging tape is not heat-resistant, the module should be removed from the tape before baking, otherwise, the tape will be damaged due to high temperature heating, you can also refer to the actual production technology of the SMT factory.

10.3. Tape and Reel Packaging



Unit: mm

Quantity per reel: 1000pcs

Length per reel: 16m

Figure 12: Tape and Reel Specifications



Figure 13: Packaging physical Figure

Table 8: Reel Packaging

| Model Name | MOQ for MP | Minimum Package: 1000pcs |
|----------------|------------|--|
| EM1010L5-GGB-M | 1000pcs | Size: 365mm × 350mm × 53mm N.W: 0.87kg G.W: 1.05kg |

11. NMEA 0183 Protocol

The output protocol supports NMEA-0183 standard. The implemented messages include GGA, GLL, GSA, GSV, VTG, RMC, and ZDA messages. The NMEA message output has the following sentence structure:

\$AACCC , c-c*hh

The detail of the sentence structure is explained in Table 1.

Table 3: The NMEA sentence structure

| character | HEX | Description |
|-----------|------|---|
| “\$” | 24 | Start of sentence. |
| Aacc | | Address field. “aa” is the talker identifier. “ccc” identifies the sentence type. |
| “,” | 2C | Field delimiter. |
| C-c | | Data sentence block. |
| “*” | 2A | Checksum delimiter. |
| Hh | | Checksum field. |
| <CR><LF> | 0D0A | Ending of sentence. (carriage return, line feed) |

Table 4: Overview of NMEA messages

| | |
|--|---|
| \$GNGGA | Time, position, and fix related data of the receiver. |
| \$GNGLL | Position, time and fix status. |
| \$GNNSA | Used to represent the ID of satellites which are used for position fix. When GPS&GLONASS&Galileo & BDS satellites are used for positioning solutions, the ID of available positioning satellites is counted and output with multiple statements. |
| \$GPGSV \$GLGSV \$GAGSV \$GBGSV | Satellite information about elevation, azimuth and CNR, satellites are used in position solution, a \$GPGSV sentence is used for GPS satellites, a \$GLGSV sentence is used for GLONASS satellites, a \$GAGSV sentence is used for GALILEO satellites. And \$BDGSV sentence is used for BDS satellites. |
| \$GNRMC | Time, date, position, course and speed data. |
| \$GNVTG | Course and speed relative to the ground. |
| \$GNZDA | UTC, day, month and year and time zone. |

The formats of the supported NMEA messages are described as follows:

11.1 GGA – Global Positioning System Fix Data

Time, position and fix related data for a GNSS receiver.

Structure:

\$GNGGA,hhmmss.sss,ddmm.mmmm,a,dddmm.mmmm,a,x,xx,x.x,x.x,M,x.x,M,x.x,xxxx*hh

For example:

\$GNGGA,175258.000,2447.0870,N,12100.5221,E,2,15,0.7,95.2,M,19.6,M,,0000*72

| Field | Name | Example | Description |
|-------|---------------|------------|---|
| 1 | UTC Time | 175258.000 | UTC of position in hhmmss.sss format, (000000.000 ~ 235959.999) |
| 2 | Latitude | 2447.08700 | Latitude in ddmm.mmmmm format Leading zeros transmitted |
| 3 | N/S Indicator | N | Latitude hemisphere indicator, ‘N’ = North, ‘S’ = South |

| | | | |
|----|------------------------------|-------------|---|
| 4 | Longitude | 12100.52210 | Longitude in dddmm.mmmmm format Leading zeros transmitted |
| 5 | E/W Indicator | E | Longitude hemisphere indicator, 'E' = East, 'W' = West |
| 6 | Quality Indicator | 2 | Quality Indicator 0: position fix unavailable 1: valid position fix, SPS mode 2: valid position fix, differential GPS mode 3: GPS PPS Mode, fix valid 6: Estimated (dead reckoning) Mode |
| 7 | Satellites Used | 15 | Number of satellites in use, (00 ~ 56) |
| 8 | HDOP | 0.7 | Horizontal dilution of precision, (0.0 ~ 99.9) |
| 9 | Altitude | 95.2 | mean sea level (geoid), (- 9999.9 ~ 17999.9) |
| 10 | Geoidal Separation | 19.6 | Geoidal separation in meters |
| 11 | Age pf Differential GPS data | | Age of Differential GPS data NULL when DGPS not used |
| 12 | DGPS Station ID | 0000 | Differential reference station ID, 0000 ~ 1023 |
| 13 | Checksum | 72 | |

11.2 GLL – Latitude/Longitude

Latitude and longitude of current position, time, and status.

Structure:

\$GNGLL,ddmm.mmmmm,a,dddmm.mmmmm,a,hhmmss.sss,A,a*hh

For example:

\$GNGLL,2447.0870,N,12100.5221,E,175258.000,A,D*42

| Field | Name | Example | Description |
|-------|----------------|-------------|---|
| 1 | Latitude | 2447.08700 | Latitude in ddmm.mmmmm format Leading zeros transmitted |
| 2 | N/S Indicator | N | Latitude hemisphere indicator 'N' = North 'S' = South |
| 3 | Longitude | 12100.52210 | Longitude in dddmm.mmmmm format Leading zeros transmitted |
| 4 | E/W Indicator | E | Longitude hemisphere indicator 'E' = East 'W' = West |
| 5 | UTC Time | 175258.000 | UTC time in hhmmss.sss format (000000.000 ~ 235959.999) |
| 6 | Status | A | Status, 'A' = Data valid, 'V' = Data not valid |
| 7 | Mode Indicator | D | Mode indicator 'N' = Data not valid 'A' = Autonomous mode 'D' = Differential mode 'E' = Estimated (dead reckoning) mode |
| 8 | Checksum | 42 | |

1.3 GSA – GNSS DOP and Active Satellites

GNSS receiver operating mode, satellites used in the navigation solution reported by the GGA sentence and DOP values.

Structure:

\$GNGSA,A,x,xx,xx,xx,xx,xx,xx,xx,xx,xx,xx,xx,x.x,x.x,x.x,x*hh

For example:

\$GNGSA,A,3,21, 12,15,18,20,24,10,32,25,13,,,1.2,0.7,1.0,1*18

\$GNGSA,A,3,03,04,05,07,,,,,,,,,1.2,0.7,1.0,4*34

\$GNGSA,A,3,76,86,71,72,65,85,87,77,,,,,1.0,0.5,0.9,2*32

\$GNGSA,A,3,76,44,13,15,66,23,45,28,,,,,1.0,0.5,0.9,2*32

| Field | Name | Example | Description |
|-------|---------------------|--|--|
| 1 | Mode | A | Mode 'M' = Manual, forced to operate in 2D or 3D mode 'A' = Automatic, allowed to automatically switch 2D/3D |
| 2 | Mode | 3 | Fix type 1 = Fix not available 2 = 2D 3 = 3D |
| 3 | Satellite used 1~12 | 21, 12, 15, 18, 20, 24, 10, 32, 25, 13 | 01 ~ 32 are for GPS; 33 ~ 64 are for WAAS (PRN minus 87); 193 ~ 197 are for QZSS; 65 ~ 88 are for GLONASS (GL PRN) ; 01 ~ 36 are for GALILEO (GA PRN); 01 ~ 37 are for BDS (BD PRN). GPS, GLONASS, GALILEO and BDS satellites are differentiated by the GNSS system ID in table 3. Maximally 12 satellites are included in each GSA sentence |
| 4 | PDOP | 1.2 | Position dilution of precision (0.0 to 99.9) |
| 5 | HDOP | 0.7 | Horizontal dilution of precision (0.0 to 99.9) |
| 6 | VDOP | 1.0 | Vertical dilution of precision (0.0 to 99.9) |
| 7 | GNSS System ID | 1 | 1 for GPS, 2 for GLONASS, 3 for GALILEO, 4 for BDS |
| 8 | Checksum | 18 | |

11.4 GSV – GNSS Satellites in View

Number of satellites (SV) in view, satellite ID numbers, elevation, azimuth, and SNR value. Four satellites maximum per transmission.

Structure:

\$GPGSV , x , x , xx , xx , xx , xx , xx , ... , xx , xx , xx , xx , xx , x*hh

For example :

\$GPGSV , 4,1 , 13 , 02,72 , 109 , 43,24 , 69,035 , 48,18 , 52,330 , 42,21 , 49,246 , 43 , 1*69

\$GPGSV , 4,2 , 13 , 20,47 , 118 , 42,15 , 39,046 , 44,41 , 39,242 , 41,12 , 28,129 , 42 , 1*68

\$GBGSV , 4,3 , 13 , 10,25 , 321 , 38,25 , 15,170 , 35,32 , 14,278 , 36,136 , 063 , 35 , 1*64

\$GBGSV , 4,4 , 13 , 05,04 , 126 , 36 , 1*57

\$GBGSV , 2,1 , 07 , 67,63 , 158 , 46,05 , 61,202 , 44,04 , 57,199 , 44,03 , 39,243 , 42,4*7f

\$GAGSV , 2,2 , 07 , 01 , 00,000 , 39,02 , 00,000 , 24,06 , 00,266 , 4*44

\$GAGSV , 3,1 , 09 , 72,60 , 135,48 , 71,40 , 047 , 50,86 , 37,048 , 50,87 , 30,336 , 49 , 1*7b

\$GLGSV , 3,2 , 09 , 65,24 , 184,477 , 23,278 , 43,76 , 16,218 , 44,85 , 05,095 , 40 , 1*7e

\$GLGSV , 3,3 , 09 , 78,00 , 000 , 31,1*4c

| Field | Name | Example | Description |
|-------|--------------------|---------|--|
| 1 | Number of message | 4 | Total number of GSV messages to be transmitted (1 - 5) |
| 2 | Sequence number | 1 | Sequence number of current GSV message |
| 3 | Satellites in view | 13 | Total number of satellites in view (00 ~ 20) |
| 4 | Satellite ID | 02 | 01 ~ 32 are for GPS; 33 ~ 64 are for WAAS (PRN minus 87); 193 ~ 197 are for QZSS; 65 ~ 88 are for GLONASS (GL PRN) ; 01 ~ 36 are for GALILEO (GA PRN); 01 ~ 37 are for BDS (BD PRN). GPS, GLONASS, GALILEO and BDS satellites are differentiated by the GNSS system ID in table 3. Maximally 12 satellites are included in each GSA sentence |
| 5 | Elevation | 72 | Satellite elevation in degrees, (00 ~ 90) |
| 6 | Azimuth | 109 | Satellite azimuth angle in degrees, (000 ~ 359) |
| 7 | SNR | 43 | C/No in dB (00 ~ 99) Null when not tracking |
| 8 | Signal ID | 1 | 1 for L1/CA, 4 for L5/CA |
| 9 | Checksum | 69 | |

11.5 RMC – Recommended Minimum Specific GNSS Data

Time, date, position, course and speed data provided by a GNSS navigation receiver.

Structure:

\$GNRMC,hhmmss.sss,A,dddmm.mmmm,a,dddmm.mmmm,a,x.x,x.x,ddmmyy,,,a*hh

For example:

\$GNRMC,175258.000,A,2447.0870,N,12100.5220,E,000.0,000.0,220617,,,D*75

| Field | Name | Example | Description |
|-------|--------------------|-------------|---|
| 1 | UTC time | 175258.000 | UTC time in hhmmss.sss format (000000.00 ~ 235959.999) |
| 2 | Status | A | Status 'V' = Navigation receiver warning 'A' = Data Valid |
| 3 | Latitude | 2447.08700 | Latitude in dddmm.mmmmm format Leading zeros transmitted |
| 4 | N/S indicator | N | Latitude hemisphere indicator 'N' =North 'S' = South |
| 5 | Longitude | 12100.52210 | Longitude in dddmm.mmmmm format Leading zeros transmitted |
| 6 | E/W Indicator | E | Longitude hemisphere indicator 'E' = East 'W' = West |
| 7 | Speed over ground | 000.0 | Speed over ground in knots (000.0 ~ 999.9) |
| 8 | Course over ground | 000.0 | Course over ground in degrees (000.0 ~ 359.9) |
| 9 | UTC Date | 220617 | UTC date of position fix, ddmmyy format |
| 10 | Mode indicator | D | Mode indicator 'N' = Data not valid 'A' = Autonomous mode 'D' = Differential mode 'E' = Estimated (dead reckoning) mode |
| 11 | checksum | 75 | |

11.6 VTG – Course Over Ground and Ground Speed

The actual course and speed relative to the ground.

Structure:

GNVTG,x.x,T,,M,x.x,N,x.x,K,a*hh

For example:

\$GNVTG,000.0,T,,M,000.0,N,000.0,K,D*16

| Field | Name | Example | Description |
|-------|----------|---------|---|
| 1 | Course | 000.0 | True course over ground in degrees (000.0 ~ 359.9) |
| 2 | Speed | 000.0 | Speed over ground in knots (000.0 ~ 999.9) |
| 3 | Speed | 000.0 | Speed over ground in kilometers per hour (000.0 ~ 1800.0) |
| 4 | Mode | D | Mode indicator 'N' = Data not valid 'A' = Autonomous mode 'D' = Differential mode 'E' = Estimated (dead reckoning) mode |
| 5 | Checksum | 16 | |

11.7 ZDA – TIME AND DATE

UTC, day, month, year and local time zone

Structure:

\$GNZDA,hhmmss.sss,xx,xx,xxxx,xx,xx*hh<CR><LF>

For example:

\$GNZDA,175258.000,22,06,2017,00,00*46<CR><LF>

| Field | Name | Example | Units | Description |
|-------|--------------------|------------|-------|--|
| 1 | UTC time | 175258.000 | | UTC time in hhmmss.ss format (000000.00 ~ 235959.99) |
| 2 | UTC Day | 22 | | UTC time: day (01 ~ 31) |
| 3 | UTC Month | 06 | | UTC time: month (01 ~ 12) |
| 4 | UTC Year | 2017 | | UTC time: year (4 digit format) |
| 5 | Local zone hour | 00 | | Local zone hours (00 ~ +/- 13) |
| 6 | Local zone minutes | 00 | | Local zone minutes (00 ~59) |
| 7 | Checksum | 46 | | Checksum |