

## General Description

DelinCOMM EU1612-G is a complete GNSS engine module that features super sensitivity, ultra low power and small form factor. The GNSS signal is applied to the antenna input of module, and a complete serial data message with position, velocity and time information is presented at the serial interface with NMEA protocol or custom protocol.

Its  $-167\text{dBm}$  tracking sensitivity extends positioning coverage into place like urban canyons and dense foliage environment where the GNSS was not possible before. The small form factor and low power consumption make the module easy to integrate into portable device like PNDs, mobile phones, cameras and vehicle navigation systems.

### Applications

- LBS (Location Based Service)
- PND (Portable Navigation Device)
- Vehicle navigation system
- Mobile phone



**Figure: EU1612-G Top View**

### Features

- Build on high performance, low-power ublox UBX-M8030-KT chip set
- Ultra high Track sensitivity:  $-167\text{dBm}$
- Built in high gain LNA
- Built in SPI FLASH,Used to save configuration commands
- Perfect compatibility ublox NEO-M8Q
- Extremely fast TTFF at low signal level
- Low power consumption: Max  $50\text{mA}@3.3\text{V}$
- NMEA-0183 compliant protocol or custom protocol
- Operating voltage:  $2.8\text{V}$  to  $3.6\text{V}$
- Operating temperature range:  $-40$  to  $85^\circ\text{C}$
- SMD type with stamp holes
- Small form factor:  $16 \times 12.2 \times 2.6\text{mm}$
- RoHS compliant (Lead-free)

---

<b>1 Functional description</b> .....	3
1.1 Overview .....	3
1.2. Key Features .....	4
1.2. Block Diagram .....	5
<b>2 Application</b> .....	5
2.1. Pin Assignment .....	5
2.2. Pin Definition .....	6
2.3. Power Supply .....	6
2.4. UART Interface .....	8
2.5. USB Interface .....	9
<b>3 Antenna Interfaces</b> .....	10
3.1. PCB Design Guide .....	10
3.2. External Active Antenna .....	10
<b>4 Configuration instruction Explain</b> .....	11
<b>5 Electrical, Reliability and Radio Characteristics</b> .....	14
5.1. Absolute Maximum Ratings .....	14
5.2. Operating Conditions .....	15
5.3. Current Consumption .....	15
5.4. ESD handling precautions .....	16
<b>6 Mechanical Dimensions</b> .....	17
<b>7 Manufacturing, Packaging and Ordering Information</b> .....	18
7.1. Assembly and Soldering .....	18
7.2. Moisture Sensitivity .....	18
7.3. Tape and Reel Packaging .....	19
<b>8 Appendix References</b> .....	20
<b>9 NMEA 0183 Protocol</b> .....	21
9.1 GGA-Global Positioning System Fixed Data .....	22
9.2 GLL-Geographic Position – Latitude/Longitude .....	23
9.3 GSA-GNSS DOP and Active Satellites .....	23
9.4 GSV-GNSS Satellites in View .....	24
9.5 RMC-Recommended Minimum Specific GNSS Data .....	25
9.6 VTG-Course Over Ground and Ground Speed .....	26

# 1 Functional description

## 1.1 Overview

The EU1612-G series of standalone concurrent GNSS modules is built on the exceptional performance of the u-blox M8 GNSS (GPS, GLONASS, Galileo, BeiDou, QZSS and SBAS) engine in the industry proven form factor.

The EU1612-G series provides high sensitivity and minimal acquisition times while maintaining low system power. The EU1612-G is optimized for cost sensitive applications, while EU1612-G provides best performance and easier RF integration. The form factor allows easy migration from previous generations. Sophisticated RF-architecture and interference suppression ensure maximum performance even in GNSS-hostile environments.

EU1612-G modules use ublox-M8 GNSS chips qualified according to AEC-Q100, are manufactured in ISO/TS 16949 certified sites, and fully tested on a system level. Qualification tests are performed as stipulated in the ISO16750 standard: “Road vehicles – Environmental conditions and testing for electrical and electronic equipment”.

EU1612-G modules support the u-blox Assist Now Online and Assist Now Offline A-GNSS services<sup>8</sup> and are OMA SUPL compliant. u-blox’ AssistNow Assistance supply aiding information, such as ephemeris, almanac, rough last position and time, reduce the time to first fix significantly and improve the acquisition sensitivity. AssistNow data are with u-blox M8 supporting both GPS and GLONASS constellation for faster acquisition than a GPS-only assistance. The extended validity of AssistNow Offline data (up to 35 days) and AssistNow Autonomous data (up to 6 days) provide faster acquisition after long off time.

EU1612-G module is built in FLASH SPI, The FLASH space is 2Mbs, Commands that can be used to store the configuration of the module parameters. Any desired parameters can be optionally configured and stored in the FLASH, Omitted MCU to module configuration command are program. The use of more convenient and simple .

Made of lead-free technology, conforms to the RoHS standard, Single patch, two times more rapid application of SMT scheme.

## 1.2. Key Features

**Table 1: Key Features**

Parameter	Specification
Power Supply	<ul style="list-style-type: none"> <li>Supply voltage: 2.8V~3.6V Typical: 3.3V</li> </ul>
Power Consumption	<ul style="list-style-type: none"> <li>Acquisition: 50mA @VCC=VBAT=3.3V</li> <li>Tracking: 45mA @VCC=VBAT=3.3V</li> <li>Backup: 20uA @VBAT=3.3V</li> </ul>
Receiver Type	<ul style="list-style-type: none"> <li>Code 72 search channels ,22 synchronous tracking channels</li> <li>GPS&amp;QZSS L1 1575.42MHz C/A , Beidou B1 1561.098MHz, GALILEO E1B/C<sup>1</sup>, GLONASS L1OF 1602MHz, SBAS: WAAS, EGNOS, MSAS, GAGAN</li> </ul>
Sensitivity	<ul style="list-style-type: none"> <li>Tracking: -167dBm</li> <li>Re-acquisition: -156dBm</li> <li>Acquisition: -147dBm</li> </ul>
TTFF (Autonomous)	<ul style="list-style-type: none"> <li>Cold start: 35s typ @-130dBm</li> <li>Warm start: 30s typ @-130dBm</li> <li>Hot start: 1s typ @-130dBm</li> </ul>
Horizontal Position Accuracy (Autonomous)	<ul style="list-style-type: none"> <li>&lt;2.5m CEP @-130 dBm</li> </ul>
Max Update Rate	<ul style="list-style-type: none"> <li>Up to 10Hz,1Hz by fault</li> </ul>
Accuracy of 1PPS Signal	<ul style="list-style-type: none"> <li>Typical accuracy: ±10ns</li> <li>Time pulse width : 100ms</li> </ul>
Acceleration Accuracy	<ul style="list-style-type: none"> <li>Without aid: 0.1m/s<sup>2</sup></li> </ul>
Dynamic Performance	<ul style="list-style-type: none"> <li>Maximum altitude: 18,000m</li> <li>Maximum velocity: 515m/s</li> <li>Acceleration: 4G</li> </ul>
UART Port	<ul style="list-style-type: none"> <li>UART Port: TXD and RXD</li> <li>Supports baud rate from 4800bps to 115200bps, 9600bps by default</li> <li>UART port for NMEA and UBX output, binary or ublox proper Agreement input</li> </ul>
Temperature Range	<ul style="list-style-type: none"> <li>Normal operation: -40°C ~ +85°C</li> <li>Storage temperature: -45°C ~ +125°C</li> </ul>
Physical Characteristics	<ul style="list-style-type: none"> <li>Size: 16±0.15 × 12.2±0.15 × 2.6±0.1mm</li> <li>Weight: Approx. 0.92g</li> </ul>

## 1.2. Block Diagram

The following figure shows a block diagram of EU1612-G module. It consists of a single chip GNSS IC which includes the RF part and Baseband part, a LNA, a SAW filter, a TCXO, a SPI FLASH, a crystal oscillator.

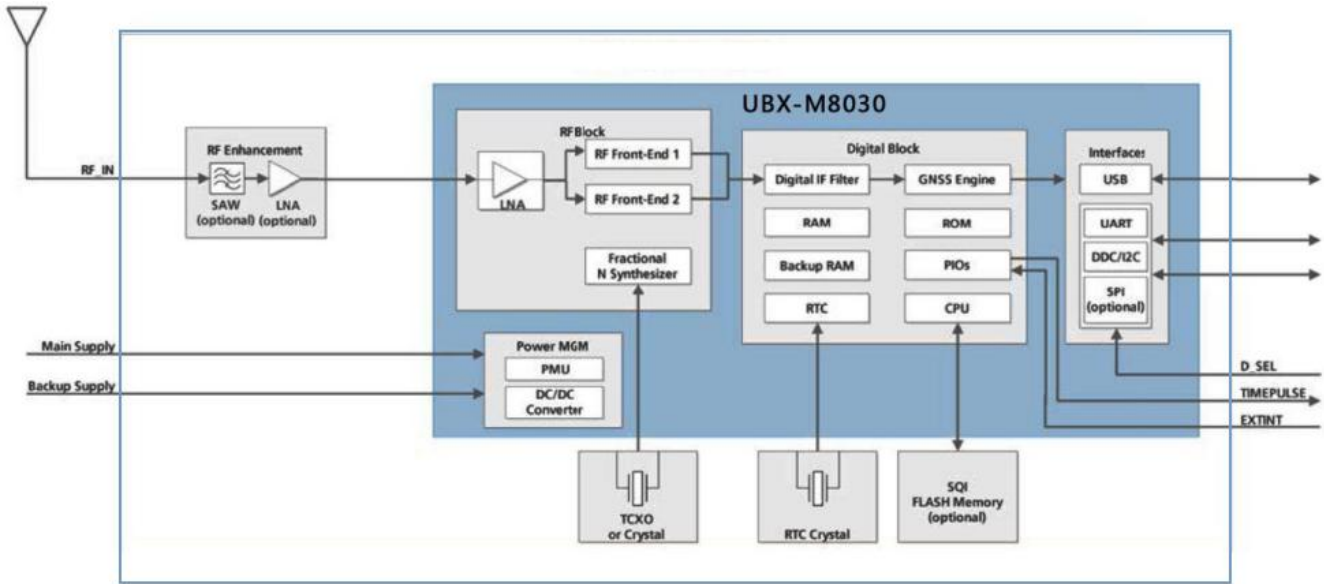


Figure 1: Block Diagram

## 2 Application

The module is equipped with a 24-pin SMT pad that connects to your application platform. Sub-interfaces included in the pad are described in details in the following chapters.

### 2.1. Pin Assignment

13	GND	GND	12
14	ANT_OK	RF IN	11
15	ANT_OFF	GND	10
16	RESET_N	VCC RF	9
17	EXTINT1	NC	8
18	SDA	VDD_USB	7
19	SCL	USB DP	6
20	TXD	USB_DM	5
21	RXD	EXTINT0	4
22	V_BAT	TIMEPULSE	3
23	VCC	NC	2
24	GND	SAFEBOOT	1

Figure 2: Pin Assignment

## 2.2. Pin Definition

Pin No.	Pin name	I/O	Description	Pin No.	Pin name	I/O	Description
1	SAFEBOOT	I	Leave Open if not used	13	GND	G	Ground
2	NC	I	Leave Open if not used	14	ANT_OK	I/O	Antenna status of antenna supervisor
3	TIMEPULSE	O	Time pulse (1PPS)	15	ANT_OFF	I/O	Antenna power control of antenna supervisor
4	EXTINT0	I	External Interrupt Pin	16	RESET_N	I/O	Leave Open if not used
5	USB_DM	I/O	USB Data	17	EXTINT1	I	External Interrupt Pin
6	USB_DP	I/O	USB Data	18	SDA	I/O	DDC Data
7	VDD_USB	I	USB Supply	19	SCL	I/O	DDC Clock
8	NC	I	Leave Open if not used	20	TXD	O	UART Serial Data Output
9	VCC_RF	O	Output Voltage RF section	21	RXD	I	UART Serial Data Input
10	GND	G	Ground	22	V_BAT	P	Backup battery supply voltage
11	RF_IN	I	GPS&GNSS Signal Input	23	VCC	P	DC supply voltage
12	GND	G	Ground	24	GND	G	Ground

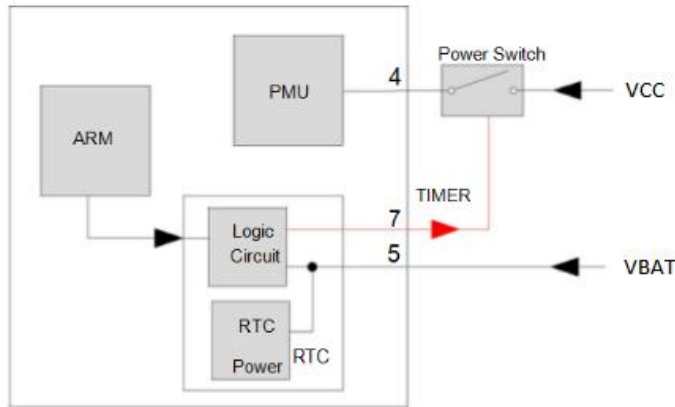
## 2.3. Power Supply

VCC pin supplies power for BB, RF, I/O, Antenna. The load current of VCC varies according to the VCC level, processor load, the number of tracked satellites and the rate of satellite re-acquisition. Using external active antenna will consume additional 11mA from our module. So it is important to supply sufficient current and make the power clean and stable. VCC supply ripple voltage should meet the requirement: 54mV (RMS) max @f=0...3MHz and 15mV (RMS) max@f>3MHz. You should choose the LDO without built-in output high-speed discharge function to keep long output voltage drop-down period. The decouple combination of 10uF and 100nF capacitor is recommended nearby VCC pin.

The VBAT pin supplies power for RTC domain. It should be valid when power on the module. The voltage of RTC domain ranges from 1.8V to 3.6V. In order to achieve a better TTFB, RTC domain should be valid all the time. It can supply power for SRAM memory in RTC domain which contains all the necessary GNSS information for quick start-up and a small amount of user configuration variables.

✧ The module's internal power construction is shown as below.

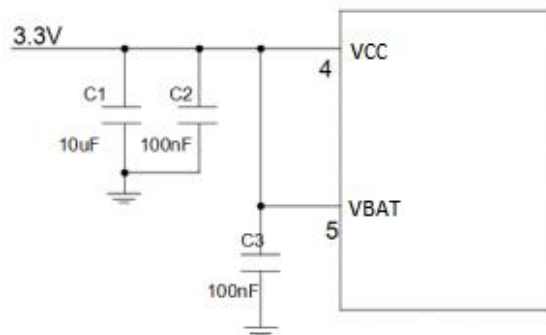
VCC supplies power for PMU, and VBAT supplies power for RTC domain. TIMER signal highlighted in red in the following figure belongs to RTC domain and can be used to control the power switch on/off.



**Figure 3:** Internal Power Construction

✧ Power supply solutions for EU1612-G module are listed as the following.

The simplest power circuit for EU1612-G module is 3.3V power source connected to VCC pin and VBAT pin of the module directly. In this case, once you powered on the module, the full cold start will be implemented.

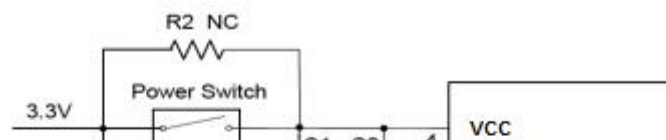


**Figure 4:** Reference Circuit for Power Supply

✧ If your power supply circuit adopts the design mentioned above, EU1612-G module does not support backup mode.

The other way is feeding VBAT through a backup battery directly. The module will enter into backup mode when power source (3.3V) is cut off. Furthermore, it is necessary to add an external charging circuit for rechargeable battery. The detailed schematic (mount R2 with 0R to replace Power switch) is shown as there is no charge source when power source (3.3V) is cut off. MS621FE FL11E from Seiko is recommended. The consumption of VBAT is as low as 7uA in backup mode.

The schematic with power supply circuit is shown as below. As power source (3.3V) is always valid and the



battery is charged continuously, the capacity of the battery can be small. The detailed schematic for power switch circuit is shown in *Figure 5*.

**Figure 5:** Reference Charging Circuit for Chargeable Battery

VCC does not supply power for RTC domain in EU1612-G module, so the VBAT pin must be powered externally. Furthermore, it is strongly recommended to supply power to VBAT through a backup battery, which can ensure EU1612-G module improves TTFF after next restart. For details about TTFF.

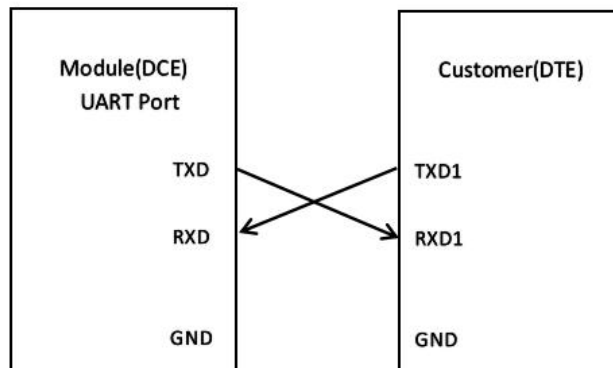
**2.4. UART Interface**

The module provides one universal asynchronous receiver& transmitter serial port. The module is designed as DCE (Data Communication Equipment), following the traditional DCE-DTE (Data Terminal Equipment) connection. The module and the client (DTE) are connected through the signals shown in the following figure. It supports data baud-rate from 4800bps to 115200bps.

**UART port:**

TXD: Send data to the RXD1 signal line of DTE.

RXD: Receive data from the TXD1 signal line of DTE.



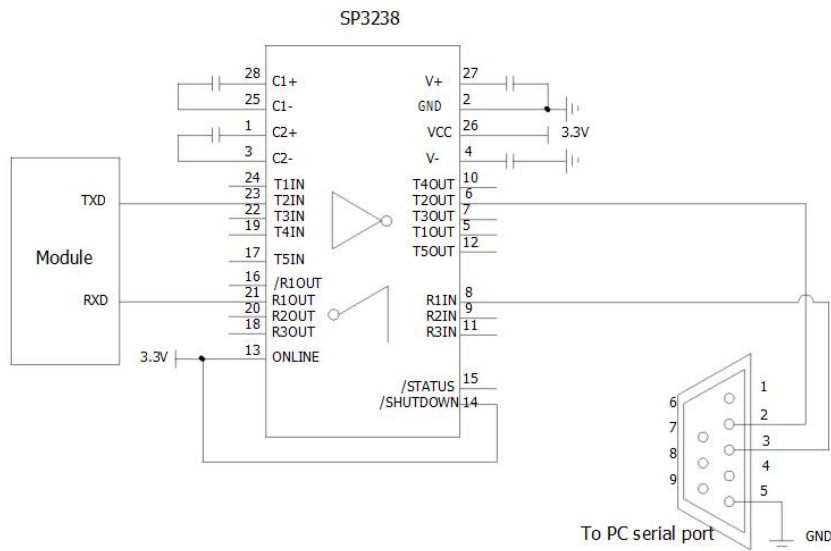
**Figure 6:** Connection of Serial Interfaces



**This UART port has the following features:**

- UART port can be used for NMEA or UBX Protocol output and proprietary commands input.
- The default output NMEA type setting is RMC, GGA, GSA, GSV, VTG, GLL.
- UART port supports the following data rates:  
4800, 9600, 14400, 19200, 38400, 57600, 115200bps.  
The default setting is 9600bps, 8 bits, no parity bit, 1 stop bit.
- Hardware flow control and synchronous operation are not supported.

The UART port does not support the RS-232 level but only CMOS level. If the module's UART port is connected to the UART port of a computer, it is necessary to add a level shift circuit between the module and the computer. Please refer to the following figure.

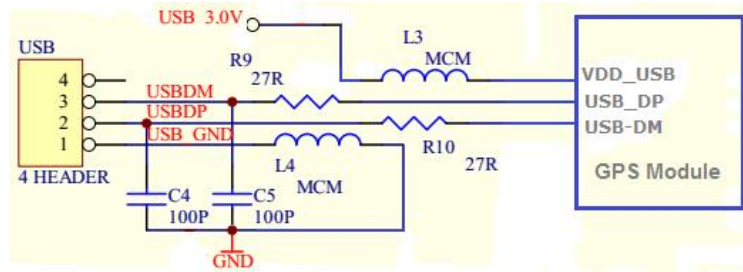


**Figure 7: RS-232 Level Shift Circuit**

## 2.5. USB Interface

EU1612-G modules provide a USB version 2.0 FS (Full Speed, 12Mbit/s) interface as an alternative to the UART. u-blox provides a Microsoft®certified USB driver for Windows XP and Windows Vista operating systems. Windows 7 /8/10 will also be supported following certification.

The module provides a USB general purpose port, Interface contains Module USB circuit power supply VDD\_USB, data transmission USB\_DM,USB\_DP. Supply voltage is 2.8V~3.6V, the maximum can not exceed 3.6V, otherwise it will damage the main chip. Recommended voltage 3.0V. Design circuits such as **Figure 8**.

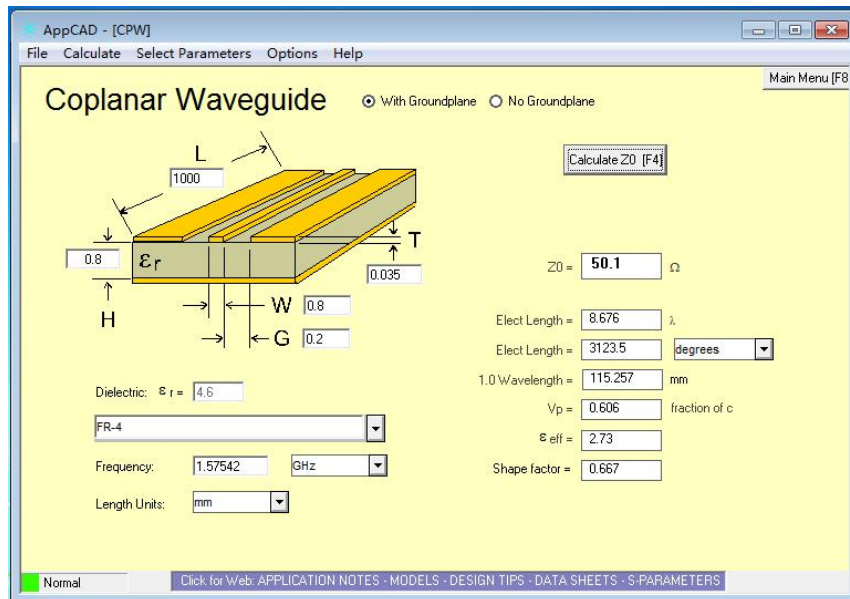


**Figure 8:** USB circuit design reference

### 3 Antenna Interfaces

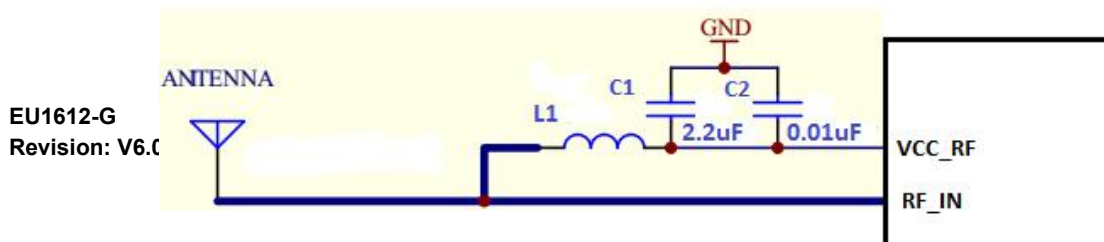
#### 3.1. PCB Design Guide

The EU1612-G GNSS receiver is designed for supporting the active antenna or passive antenna connected with pin RF\_IN. The gain of active antenna should be no less than 15dB. The maximum noise figure should be no more than 2.5dB and output impedance is at 50 Ohm.



#### 3.2. External Active Antenna

The following figure is a typical reference design with active antenna. In this mode, DC on the VCC\_RF pin is powered by VCC and supplies power to the external active antenna.



**Figure 10:** Reference Design for Active Antenna

C1, C2, L1 is used for power supply and filtering effect to the external active antenna, RF\_IN antenna to a circuit part (BOLD line) for high frequency microstrip line, PCB in the design of this part of the line to calculate the characteristic impedance of the high-frequency line according to the principle of high frequency wiring.

The impedance of RF trace line in main PCB should be controlled as 50 Ohm, and the trace length should be kept as short as possible.

**Table 2: The modules Antenna Specifications**

Parameter	Specification	
Antenna Type	Passive and active antenna	
ActiveAntenna Recommendations	Minimum gain	15 dB (to compensate signal loss in RF cable)
	Maximum gain	50 <sup>9</sup> dB / 30 <sup>10</sup> dB
	Maximum noise figure	1.5 dB

## 4. Configuration instruction Explain

The module supports the commonly used commands in configuration, The module built in SPI FLASH . Configuration commands can be saved in FLASH. The following table describes some of the parameters of the UART

port configuration command,baud rate setting: NMEA data refresh rate is set, the NMEA statement output set, positioning mode setting etc.

The Module power up initialization requires 300ms,Please send the sixteen system from CPU via serial port.

**Table 3: Baud rate configuration command**

Common commands	Instructions
<b>Cold star</b>	B5 62 06 04 04 00 FF FF 02 00 0E 61
<b>Hot start</b>	B5 62 06 04 04 00 00 00 02 00 10 68
<b>Reset</b>	B5 62 06 04 04 00 FF 87 01 00 95 F7
<b>Restore factory settings</b>	B5 62 06 09 0D 00 FF FF 00 00 00 00 00 00 FF FF 00 00 07 1F 9E
<b>Save configuration</b>	B5 62 06 09 0D 00 00 00 00 00 FF FF 00 00 00 00 00 00 17 31 BF
<b>Baud rate is 4800bps</b>	b5 62 06 00 14 00 01 00 00 00 d0 08 00 00 c0 12 00 00 07 00 07 00 00 00 00 00 d3 fc b5 62 06 00 01 00 01 08 22
<b>Baud rate is 9600bps</b>	b5 62 06 00 14 00 01 00 00 00 d0 08 00 00 80 25 00 00 07 00 07 00 00 00 00 00 a6 cd b5 62 06 00 01 00 01 08 22
<b>Baud rate is 38400bps</b>	b5 62 06 00 14 00 01 00 00 00 d0 08 00 00 00 96 00 00 07 00 07 00 00 00 00 00 97 a8 b5 62 06 00 01 00 01 08 22
<b>Baud rate is 115200bps</b>	b5 62 06 00 14 00 01 00 00 00 d0 08 00 00 00 c2 01 00 07 00 07 00 00 00 00 00 c4 96 b5 62 06 00 01 00 01 08 22
<b>NMEA data refresh rate is 1Hz</b>	B5 62 06 08 06 00 E8 03 01 00 01 00 01 39
<b>NMEA data refresh rate is 2Hz</b>	B5 62 06 08 06 00 F4 01 01 00 01 00 0B 77
<b>NMEA data refresh rate is 4Hz</b>	B5 62 06 08 06 00 FA 00 01 00 01 00 10 96
<b>NMEA data refresh rate is 5Hz</b>	B5 62 06 08 06 00 C8 00 01 00 01 00 DE 6A B5 62 06 08 00 00 0E 30
<b>NMEA data refresh rate is 10Hz</b>	B5 62 06 08 06 00 64 00 01 00 01 00 7A 12 B5 62 06 08 00 00 0E 30

✧ The configuration command is saved in the FLASH, You need to configure the command to save settings to achieve.

**Save configuration:** B5 62 06 09 0D 00 FF FF 00 00 00 00 00 00 FF FF 00 00 07 1F 9E

**Table4: NMEA statement content output configuration**

Statement conten	Instructions
Close GGA OutPut	24 45 49 47 50 51 2c 47 47 41 2a 32 37 0d 0a b5 62 06 01 03 00 f0 00 00 fa 0f
Close GLL OutPut	24 45 49 47 50 51 2c 47 4c 4c 2a 32 31 0d 0a b5 62 06 01 03 00 f0 01 00 fb 11
Close GSA OutPut	24 45 49 47 50 51 2c 47 53 41 2a 33 33 0d 0a b5 62 06 01 03 00 f0 02 00 fc 13
Close GSV OutPut	24 45 49 47 50 51 2c 47 53 56 2a 32 34 0d 0a b5 62 06 01 03 00 f0 03 00 fd 15
Close RMC OutPut	24 45 49 47 50 51 2c 52 4d 43 2a 33 41 0d 0a b5 62 06 01 03 00 f0 04 00 fe 17
Close VTG OutPut	24 45 49 47 50 51 2c 56 54 47 2a 32 33 0d 0a b5 62 06 01 03 00 f0 05 00 ff 19
Open GGA OutPut	24 45 49 47 50 51 2c 47 47 41 2a 32 37 0d 0a b5 62 06 01 03 00 f0 00 01 fb 10
Open GLL OutPut	24 45 49 47 50 51 2c 47 4c 4c 2a 32 31 0d 0a b5 62 06 01 03 00 f0 01 01 fc 12
Open GSA OutPut	24 45 49 47 50 51 2c 47 53 41 2a 33 33 0d 0a b5 62 06 01 03 00 f0 02 00 fc 13
Open GSV OutPut	24 45 49 47 50 51 2c 47 53 56 2a 32 34 0d 0a b5 62 06 01 03 00 f0 03 00 fd 15
Open RMC OutPut	24 45 49 47 50 51 2c 52 4d 43 2a 33 41 0d 0a b5 62 06 01 03 00 f0 04 00 fe 17
Open VTG OutPut	24 45 49 47 50 51 2c 56 54 47 2a 32 33 0d 0a b5 62 06 01 03 00 f0 05 00 ff 19
GSV 5S Output once	B5 62 06 01 08 00 F0 03 00 05 00 00 00 00 07 51
Output only RMC	B56206010300F00100FB11B56206010300F00200FC13B56206010300F00300FD1 5B56206010300F00500FF19B56206010300F00000FA0F

✧ The configuration command is saved in the FLASH, You need to configure the command to save settings to achieve.

**Save configuration:** B5 62 06 09 0D 00 FF FF 00 00 00 00 00 00 FF FF 00 00 07 1F 9E

#### Work mode configuration instructions:

The module supports Varied work mode of instruction configuration, each mode corresponding to the Configuration instruction such as **Table 5**.

Table 5: Mode switch configuration instruction

Pattern	Instructions
GPS	B5 62 06 3E 2C 00 00 00 20 05 00 08 10 00 01 00 01 01 01 01 03 00 00 00 01 01 03 08 10 00 00 00 01 01 05 00 03 00 00 00 01 01 06 08 0E 00 00 00 01 01 FC 11 B5 62 06 17 0C 00 00 23 00 02 00 00 00 00 01 00 00 00 4F F8
GLONASS	B5 62 06 3E 24 00 00 00 16 04 00 04 FF 00 00 00 00 00 01 01 03 00 00 00 00 00 05 00 03 00 00 00 00 00 06 08 FF 00 01 00 00 00 A0 D9 B5 62 06 3E 00 00 42 D2 B5 62 06 17 0C 00 00 23 00 02 00 00 00 00 01 00 00 00 4F F8
BeiDou	B5 62 06 3E 2C 00 00 00 20 05 00 08 10 00 00 00 01 01 01 01 03 00 00 00 01 01 03 08 10 00 01 00 01 01 05 00 03 00 00 00 01 01 06 08 0E 00 00 00 01 01 FC 01 B5 62 06 17 0C 00 00 23 00 02 00 00 00 00 01 00 00 00 4F F8
BeiDou+GLONASS	B5 62 06 3E 2C 00 00 00 16 05 00 04 FF 00 00 00 01 01 01 01 03 00 00 00 01 01 03 08 10 00 01 00 01 01 05 00 03 00 00 00 01 01 06 08 FF 00 01 00 01 01 CF E5 B5 62 06 17 0C 00 00 23 00 02 00 00 00 00 01 00 00 00 4F F8
GPS+QZSS+Beidou	<b>Enable SBAS:</b> B5 62 06 3E 2C 00 00 00 20 05 00 08 10 00 01 00 01 01 01 01 03 00 01 00 01 01 03 08 10 00 01 00 01 01 05 00 03 00 01 00 01 01 06 08 0E 00 00 00 01 01 FF 4D B5 62 06 17 0C 00 00 23 00 02 00 00 00 00 01 00 00 00 4F F8
	<b>Disable SBAS:</b> B5 62 06 3E 2C 00 00 00 20 05 00 08 10 00 01 00 01 01 01 01 03 00 00 00 01 01 03 08 10 00 01 00 01 01 05 00 03 00 01 00 01 01 06 08 0E 00 00 00 01 01 FE 31 B5 62 06 17 0C 00 00 23 00 02 00 00 00 00 01 00 00 00 4F F8
GPS+QZSS+GLONASS	<b>Enable SBAS:</b> B5 62 06 3E 2C 00 00 00 20 05 00 08 10 00 01 00 01 01 01 01 03 00 01 00 01 01 03 08 10 00 00 00 01 01 05 00 03 00 01 00 01 01 06 08 0E 00 01 00 01 01 FF 3D B5 62 06 17 0C 00 00 23 00 02 00 00 00 00 01 00 00 00 4F F8
	<b>Disable SBAS:</b> B5 62 06 3E 2C 00 00 00 20 05 00 08 10 00 01 00 01 01 01 01 03 00 00 00 01 01 03 08 10 00 00 00 01 01 05 00 03 00 01 00 01 01 06 08 0E 00 01 00 01 01 FE 21 B5 62 06 17 0C 00 00 23 00 02 00 00 00 00 01 00 00 00 4F F8

◇ The configuration command is saved in the FLASH, You need to configure the command to save settings to achieve.

**Save configuration:** B5 62 06 09 0D 00 FF FF 00 00 00 00 00 00 FF FF 00 00 07 1F 9E

## 5 Electrical, Reliability and Radio Characteristics

### 5.1. Absolute Maximum Ratings

Absolute maximum ratings for power supply and vol age on digital pins of the module are listed in the following

table.

**Table 6: Absolute Maximum Ratings**

values within the specified boundaries by using appropriate protection diodes.

Parameter	Min.	Max.	Unit
Power Supply Voltage (VCC)	-0.3	3.6	V
Backup Battery Voltage (VBAT)	-0.3	3.6	V
Input Voltage at Digital Pins	-0.3	3.6	V
Input Power at RF_IN		15	dBm
Storage Temperature	-45	125	°C

- ◇ Stressing the device beyond the “Absolute Maximum Ratings” may cause permanent damage. These are stress ratings only. The product is not protected against over voltage or reversed voltage. If necessary, voltage spikes exceeding the power supply voltage specification, given in table above, must be limited to values within the specified boundaries by using appropriate protection diodes.

## 5.2. Operating Conditions

**Table 7: Power Supply Ratings**

Parameter	Description	Conditions	Min.	Typ.	Max.	Unit
VCC	Supply voltage	Voltage must stay within the min/max values, including voltage drop, ripple, and spikes.	2.8	3.3	3.6	V
IVCCP	Peak supply current	VCC=3.3V			100	mA
VBAT	Backup voltage supply		1.8	3.3	3.6	V
TOPR	Normal operating temperature		-40	25	80	°C

- ◇ The figure IVCCP can be used to determine the maximum current capability of power supply.
- ◇ Operation beyond the "Operating Conditions" is not recommended and extended exposure beyond the "Operating Conditions" may affect the device’s reliability.

## 5.3. Current Consumption

The values for current consumption are shown in the following table.

**Table 8: Current Consumption**

Parameter	Conditions	Min.	Typ.	Max.	Unit
Ivcc @Acquisition	VCC=VBAT=3.3V		40		mA
Ivcc @Tracking	VCC=VBAT=3.3V		35		mA
Ivcc @Standby	VCC=VBAT=3.3V		2.0		mA
IBCKP @Backup	VBAT=3.3V		20		uA

**The tracking current is tested in the following conditions:**

- ✧ In Cold Start, 10 minutes after First Fix.
- ✧ In Hot Start, 15 seconds after First Fix.

**5.4. ESD handling precautions**

**EU1612-G series modules are Electrostatic Sensitive Devices (ESD). Observe precautions for handling! Failure to observe these precautions can result in severe damage to the GNSS receiver!**

GNSS receivers are Electrostatic Sensitive Devices (ESD) and require special precautions when handling. Particular care must be exercised when handling patch antennas, due to the risk of electrostatic charges. In addition to standard ESD safety practices, the following measures should be taken into account whenever handling the receiver:

- ✧ Unless there is a galvanic coupling between the local GND (i.e. the work table) and the PCB GND, then the first point of contact when handling the PCB must always be between the local GND and PCB GND.
- ✧ Before mounting antenna patch, connect ground of the device. When handling the RF pin, do not come into contact with any charged capacitors and be careful when contacting materials that can develop charges (e.g. patch antenna ~10pF, coax cable ~50-80pF/m, soldering iron, ...)
- ✧ To prevent electrostatic discharge through the RF input, do not touch any exposed antenna area. If there is any risk that such exposed antenna area is touched in non ESD protected work area, implement proper ESD protection measures in the design.
- ✧ When soldering RF connectors and patch antennas to the receiver's RF pin, make sure to use an ESD safe soldering iron (tip).



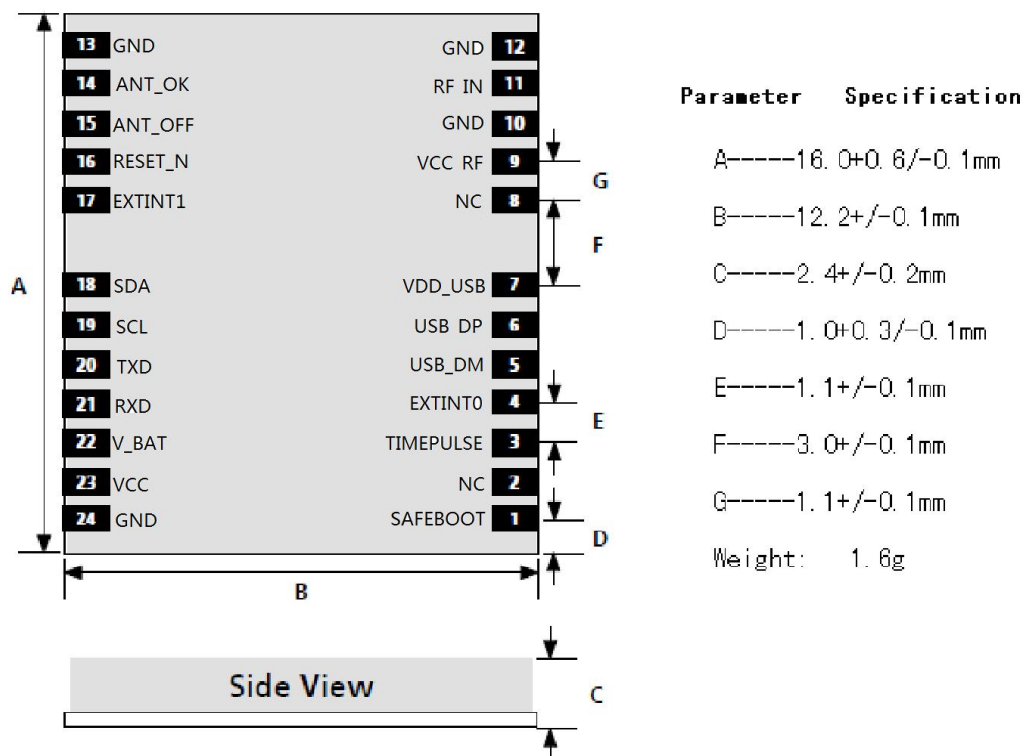
**Table 9: ESD Endurance Table (Temperature : 25°C, Humidity: 45%)**



Pin	Contact Discharge	Air Discharge
RF_IN	±5KV	±10KV
VCC	±5KV	±10KV
UART	±3KV	±6KV
Others	±2KV	±4KV

## 6 Mechanical Dimensions

This chapter describes the mechanical dimensions of the module.

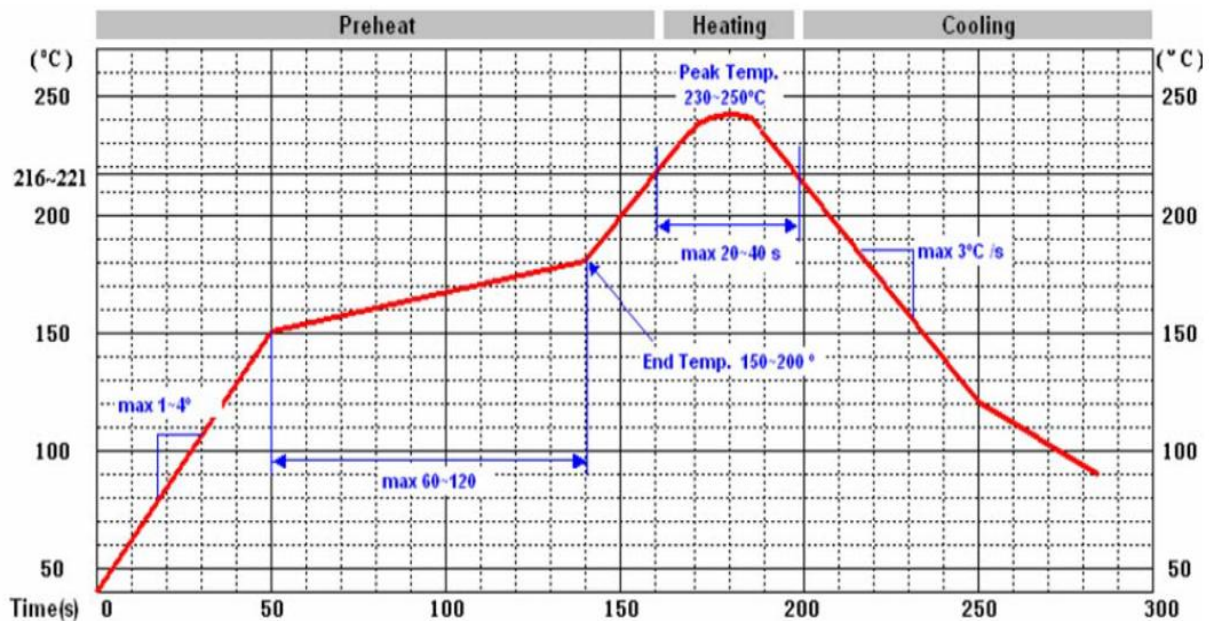


**Figure 11: Top view Dimensions**

## 7 Manufacturing, Packaging and Ordering Information

### 7.1. Assembly and Soldering

EU1612-G module is intended for SMT assembly and soldering in a Pb-free reflow process on the top side of the PCB. It is suggested that the minimum height of solder paste stencil is 100um to ensure sufficient solder volume. Pad openings of paste mask can be increased to ensure proper soldering and solder wetting over pads. It is suggested that the peak reflow temperature is 235~245° C (for SnAg3.0Cu0.5 alloy). The absolute maximum reflow temperature is 260° C. To avoid damage to the module when it is repeatedly heated, it is suggested that the module should be mounted after reflow soldering for the other side of PCB has been completed. Recommended reflow soldering thermal profile is shown below:



**Figure 12:** Recommended Reflow Soldering Thermal Profile

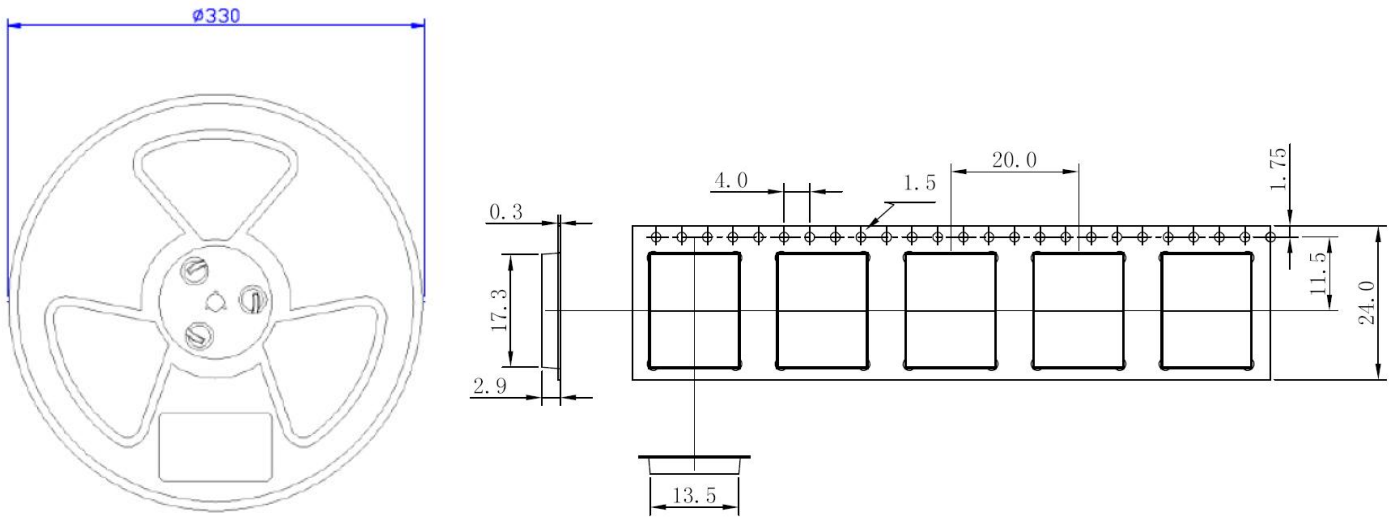
### 7.2. Moisture Sensitivity

EU1612-G module is sensitive to moisture. To prevent EU1612-G from permanent damage during reflow soldering, baking before reflow soldering is required in following cases:

- ✧ Humidity indicator card: One or more indicating spots are no longer blue.
- ✧ The seal is opened and the module is exposed to excessive humidity.

EU1612-G should be baked for 192 hours at temperature 40°C+5°C/-0°C and <5% RH in low-temperature containers, or 24 hours at temperature 125°C±5°C in high-temperature containers. Care should be taken that the plastic tape is not heat resistant. EU1612-G should be taken out from the tape before preheating; otherwise, the tape maybe damaged by high-temperature heating.

**7.3. Tape and Reel Packaging**



Unit: mm

Quantity per reel: 1000pcs

Length per reel: 20m

**Figure 13: Tape and Reel Specifications**



**Figure 14: Packaging physical Figure**

**Table 10: Reel Packaging**

Model Name	MOQ for MP	Minimum Package: 1000pcs
EU1612-G	1000pcs	Size: 365mm × 350mm × 53mm N.W: 1.42kg G.W: 1.6kg

## 8 Appendix References

**Table 11: Terms and Abbreviations**

Abbreviation	Description
AGNSS	Assisted Global navigation satellite system
DGPS	Differential GPS
ESD	Electrostatic Discharge
GPS	Global Positioning System
GNSS	Global Navigation Satellite System
GGA	GNSS Fix Data
GLL	Geographic Position – Latitude/Longitude
GLONASS	Global Navigation Satellite System
GSA	GNSS DOP and Active Satellites
GSV	GNSS Satellites in View
HDOP	Horizontal Dilution of Precision
I/O	Input/Output
Kbps	Kilo Bits Per Second
LNA	Low Noise Amplifier
MSAS	Multi-Functional Satellite Augmentation System
MOQ	Minimum Order Quantity
NMEA	National Marine Electronics Association
PDOP	Position Dilution of Precision
PPS	Pulse Per Second
PRN	Pseudo Random Noise Code
QZSS	Quasi-Zenith Satellite System
RHCP	Right Hand Circular Polarization
RMC	Recommended Minimum Specific GNSS Data
SBAS	Satellite-based Augmentation System
SAW	Surface Acoustic Wave
SPDT	Single-Pole Double-Throw
TTFF	Time To First Fix

UART	Universal Asynchronous Receiver & Transmitter
VDOP	Vertical Dilution of Precision
VTG	Course over Ground and Ground Speed, Horizontal Course and Horizontal Velocity
WAAS	Wide Area Augmentation System
Inom	Nominal Current
Imax	Maximum Load Current
Vmax	Maximum Voltage Value
Vnom	Nominal Voltage Value
Vmin	Minimum Voltage Value
VIHmax	Maximum Input High Level Voltage Value
VIHmin	Minimum Input High Level Voltage Value
VILmax	Maximum Input Low Level Voltage Value
VILmin	Minimum Input Low Level Voltage Value
VImax	Absolute Maximum Input Voltage Value
VImin	Absolute Minimum Input Voltage Value
VOHmax	Maximum Output High Level Voltage Value
VOHmin	Minimum Output High Level Voltage Value
VOLmax	Maximum Output Low Level Voltage Value
VOLmin	Minimum Output Low Level Voltage Value

## 9 NMEA 0183 Protocol

The NMEA protocol is an ASCII-based protocol, Records start with a \$ and with carriage return/line feed. GNSS specific messages all start with \$GPxxx/\$GLxxx/\$GAxxx/\$GBxxx where \$GNxxx is a three-letter identifier of the message data that follows. NMEA messages have a check sum, which allows detection of corrupted data transfers.

The module supports a variety of single system positioning as well as multi system positioning, Each mode and the corresponding NMEA such as **Table12**.

**Table 12: NMEA-0183 Output Messages**

NMEA Record	DESCRIPTION
<b>BD only mode</b> NMEA Out Put: GBRMC.GBGGGA.GBGSV.GBGSA.GBGLL.GBVTG	
<b>GPS only mode</b> NMEA Out Put: GPRMC.GPGGA.GPGSV.GPGSA.GPGLL.GPVTG	
<b>Galileo only mode</b> NMEA Out Put: GARMC.GAGGA.GAGSV.GAGSA.GAGLL.GAVTG	
<b>GLONASS only mode</b> NMEA Out Put: GLRMC.GLGGGA.GLGSV.GLGSA.GLGLL.GLVTG	
<b>GPS+BD only mode</b> NMEA Out Put: GNRMC.GNGGA.GPGSV.GBGSV.GNGSA.GNGSA.GNGLL.GNVTG	
<b>GPS+GLONASS only mode</b> NMEA Out Put: GNRMC.GNGGA.GPGSV.GLGSV.GNGSA.GNGSA.GNGLL.GNVTG	
<b>GPS+Galileo only mode</b> NMEA Out Put: GNRMC.GNGGA.GPGSV.GAGSV.GNGSA.GNGSA.GNGLL.GNVTG	

✧ The Delin EU1612-G Initialization location mode for GPS+GLONASS dual mode,  
**Output data:** \$GNRMC.\$GNGGA.\$GPGSV.\$GLGSV.\$GNGSA.\$GNGSA.\$GNGLL.\$GNVTG

### 9.1 GGA-Global Positioning System Fixed Data

\$xxGGA,161229.487,3723.24751,N, 12158.34160,W, 1,07,1.0,9.0,M.0000\*18

**Table 13: GGA Data Format**

Name	Example	Units	Description
Message ID	\$xxGGA		GGA protocol header
UTC Position	161229.487		hhmmss.sss
Latitude	3723.24571		ddmm.mmmmm
N/S indicator	N		N=north or S=south
Longitude	12158.34160		dddmm.mmmmm
E/W Indicator	W		E=east or W=west
Position Fix Indicator	1		See Table 13-1
Satellites Used	07		Range 0 to 12
HDOP	1.0		Horizontal Dilution of Precision
MSL Altitude	9.0	meters	
Units	M	meters	

Geoids Separation		meters	
Units	M	meters	
Age of Diff.Corr.		second	Null fields when DGPS is not Used
Diff.Ref.Station ID	0000		
Check sum	*18		
<CR> <LF>			End of message termination

**Table 13-1: Position Fix Indicators**

Value	Description
0	Fix not available or invalid
1	GPS SPS Mode, fix valid
2	Differential GPS, SPS Mode, fix valid
3	GPS PPS Mode, fix valid

## 9.2 GLL-Geographic Position – Latitude/Longitude

\$xxGLL , 3723.24755, N,12158.34161, W,161229.487, A\*2C.

**Table 14: GLL Data Format**

Name	Example	Units	Description
Message ID	\$xxGLL		GLL protocol header
Latitude	3723.24755		ddmm.mmmmm
N/S Indicator	N		N=north or S=south
Longitude	12158.34161		dddmm.mmmmm
E/W Indicator	W		E=east or W=west
UTC Position	161229.487		hhmmss.sss
Status	A		A=data valid or V=data not valid
Check sum	*2C		
<CR> <LF>			End of message termination

## 9.3 GSA-GNSS DOP and Active Satellites

\$xxGSA , A, 3, 07, 02, 26,27, 09, 04,15, , , , , 1.8,1.0,1.5\*33.

**Table 15: GSA Data Format**

Name	Example	Units	Description
Message	\$xxGSA		GSA protocol header
Mode 1	A		See Table 15-2
Mode 2	3		See Table 15-1
Satellite Used	07		Sv on Channel 1
Satellite Used	02		Sv on Channel 2
...	...		...
Satellite Used			Sv on Channel 12
PDOP	1.8		Position Dilution of Precision
HDOP	1.0		Horizontal Dilution of Precision
VDOP	1.5		Vertical Dilution of Precision
Check sum	*33		
<CR> <LF>			End of message termination

**Table 15-1: Mode 1**

Value	Description
1	Fix not available
2	2D
3	3D

**Table 15-2: Mode 2**

Value	Description
M	Manual-forced to operate in 2D or 3D mode
A	Automatic-allowed to automatically switch 2D/3D

#### 9.4 GSV-GNSS Satellites in View

\$xxGSV , 2, 1, 07, 07, 79,048, 42, 02, 51,062, 43, 26, 36,256, 42, 27, 27, 138,42\*71

\$xxGSV , 2, 2, 07, 09, 23,313, 42, 04, 19, 159, 41, 15,12,041, 42\*41.

**Table 16: GGA Data Format**

Name	Example	Units	Description
Message ID	\$xxGSV		GSV protocol header



Number of Message	2		Range 1 to 3
Message Number	1		Range 1 to 4
Satellites in View	07		
Satellite ID	07		Channel 1(Range 1 to 32)
Elevation	79	degrees	Channel 1(Maximum 90)
Azinmuth	048	degrees	Channel 1(True, Range 0 to 359)
SNR(C/NO)	42	dBHz	Range 0 to 99,null when not tracking
...			...
Satellite ID	27		Channel 4(Range 1 to 32)
Elevation	27	degrees	Channel 4(Maximum 90)
Azimuth	138	degrees	Channel 4(True, Range 0 to 359)
SNR(C/NO)	42	dBHz	Range 0 to 99, null when not tracking
Check sum	*71		
<CR> <LF>			End of message termination

Depending on the number of satellites tracked multiple messages of GSV data may be required.

### 9.5 RMC-Recommended Minimum Specific GNSS Data

\$xxRMC, 161229.487, A, 3723.24751, N, 12158.34161, W, 0.13,309.62, 120598,, \*10

**Table 17: RMC Data Format**

Name	Example	Units	Description
Message ID	\$xxRMC		RMC protocol header
UTS Position	161229.487		hhmmss.sss
Status	A		A=data valid or V=data not valid
Latitude	3723.24751		ddmm.mmmmm
N/S Indicator	N		N=north or S=south
Longitude	12158.34161		dddmm.mmmmm
E/W Indicator	W		E=east or W=west
Speed Over Ground	0.13	Knots	
Course Over	309.62	Degrees	True
Ground			
Date	120598		dummy

Magnetic variation		Degrees	E=east or W=west
Check sum	*10		
<CR> <LF>			End of message termination

### 9.6 VTG-Course Over Ground and Ground Speed

\$xxVTG, 309.62, T, M, 0.13, N, 0.2, K\*6E

**Table 18: VTG Data Format**

Name	Example	Units	Description
Message ID	\$xxVTG		VTG protocol header
Course	309.62	Degrees	Measured heading
Reference	T		True
Course		Degrees	Measured heading
Reference	M		Magnetic
Speed	0.13	Knots	Measured horizontal speed
Units	N		Knots
Speed	0.2	Km/hr	Measured horizontal speed
Units	K		Kilometer per hour
Check sum	*6E		
<CR> <LF>			End of message termination